

TDJ-5158GH

5.1/5.5/5.8GHz Sector Panel Antenna

Technical Sheet



Applications

- 5.1/5.5/5.8GHz Communication System
- 802.11a,g
- Hotspot coverage

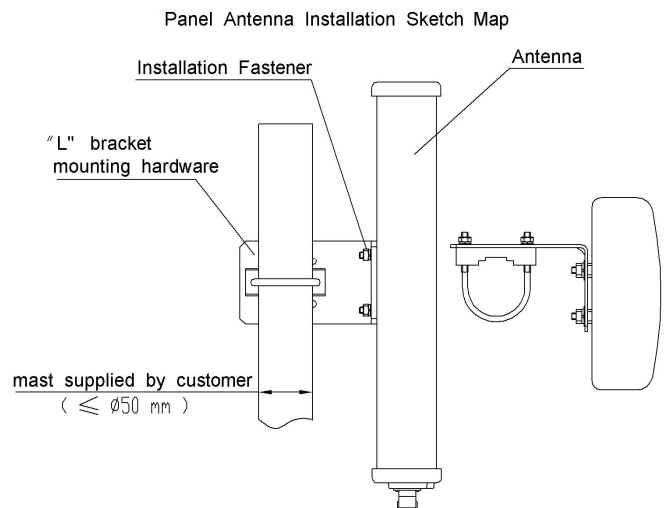
Features

- High Gain, Low VSWR
- Light weight, Small Size
- Lightning Protection, DC Grounded

Specifications

Model	TDJ-5158GH
Freq.Range-MHz	5150-5850
Bandwidth-MHz	700
Gain-dBi	18
Horizontal Beamwidth-°	60
Vertical Beamwidth-°	7
F/B Ratio-dB	≥25
VSWR	≤1.7
Impedance-Ω	50
Polarization	Horizontal
Max.Power-W	100
Connector	N Female
Dimension-mm	470×175×60
Weight-Kg	1.8
Mast Diameter-mm	φ 40 to 50

Installation Sketch



Installation Method:

1. Install the L bracket to the back of the panel antenna, and then fix the antenna to the mast supplied by customer according to the sketch map.
2. Use the instrument to test the receiving signals and adjust the antenna azimuth and pitching angle to make the receiving signals maximum. Fasten every nut, and seal the connector which connect the antenna and cable.



Kenbotong Communication LTD.

Addr: kenbotong Technology Park, NO.2 Chanxiu Road, Foshan, Guangdong, china 528000

Tel: +86-757-82219788, 82126632 Fax: +86-757-82212072

Email: kbt@kenbotong.com web: <http://www.kenbotong.com>