

# TDJ-5158EA23

## 5GHz Flat Antenna

### Technical Sheet



#### Applications

- 5GHz WLAN
- 5GHz WiMax
- Support IEEE802.11a
- Point to point, Wireless Bridge
- Video Transmission

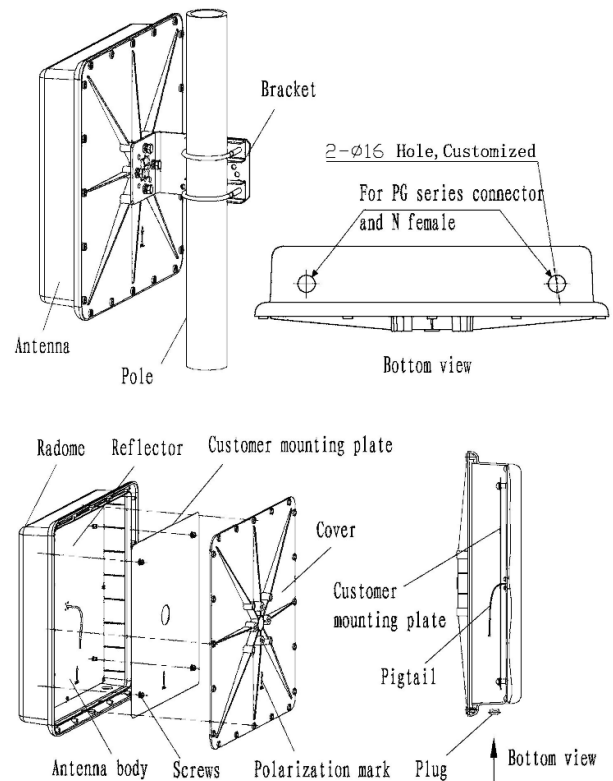
#### Features

- Wideband
- High gain, High F/B Ratio
- Low profile, Light weight
- V or H polarization compatible
- Integrated enclosure, with pigtail
- With customer mounting plate

#### Specifications

|                     |                           |
|---------------------|---------------------------|
| Model               | TDJ-5158EA23              |
| Freq. Range-MHz     | 5150~5850                 |
| Gain-dBi            | 23                        |
| Beamwidth-°         | E:11 H:11                 |
| VSWR                | ≤1.8                      |
| Impedance-Ω         | 50                        |
| F/B Ratio-dB        | ≥30                       |
| Polarization        | Vertical or horizontal    |
| Max. Power-W        | 20                        |
| Connector Type      | SMA Male or customization |
| Dimension-mm        | 325×325×65                |
| Inside Dim.-mm      | 280×280×38                |
| Weight-kg           | 2.1                       |
| Operating Temp. -°C | -40~+70                   |
| Wind Velocity -m/s  | 60                        |
| Pole Dia.-mm        | Φ40~Φ50                   |

#### Install Sketch



Kenbotong Communication LTD.

Addr: kenbotong Technology Park, NO.2 Chanxiu Road, Foshan, Guangdong, China 528000  
 Tel: +86-757-82219788, 82126632 Fax: +86-757-82212072  
 Email: kbt@kenbotong.com web: <http://www.kenbotong.com>