

TDJ-5158EA19

5GHz Flat Antenna

Technical Sheet



Applications

- 5.1/5.5/5.8GHz WLAN System
- 5.8GHz UNII/ISM System
- Support 802.11a,g
- WiFi System
- Point to point application
- Bridge Antenna

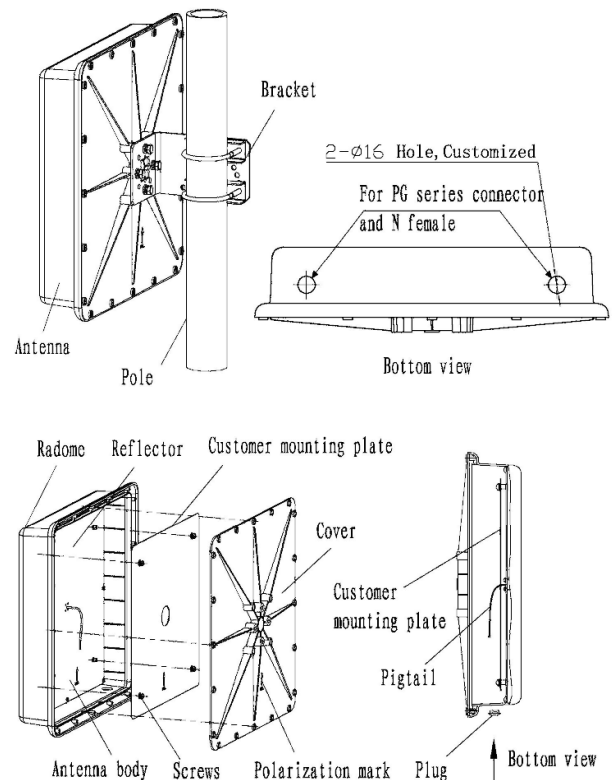
Features

- High Gain,Broadband
- V or H polarization compatible
- Integrated enclosure, with pigtail
- With customer mounting plat

Specifications

Model	TDJ-5158EA19
Freq.Range-MHz	5150~5850
Gain-dBi	19
Beamwidth-°	E:15 H:15
VSWR	≤2
Impedance-Ω	50
F/B Ratio-dB	≥25
Polarization	Vertical or Horizontal
Max.Power-W	20
Connector	SMA Male or Customization
Dimension-mm	325×325×65
Inside Dim.-mm	280×280×38
Weight-kg	2.1
Operating Temp. -°C	-40~+70
Wind Velocity -m/s	60
Pole Dia.-mm	φ 40~ φ 50

Installation Sketch



Kenbotong Communication LTD.

Addr: kenbotong Technology Park,NO.2 Chanxiu Road,Foshan, Guangdong,china 528000

Tel: +86-757-82219788, 82126632 Fax: +86-757-82212072

Email: kbt@kenbotong.com web: <http://www.kenbotong.com>