

TDJ-5158EA18D

5GHz Dual Polarization Flat Antenna

Technical Sheet



Applications

- 5GHz WiFi system
- Support IEEE802.11a
- Point to point, point to multipoint

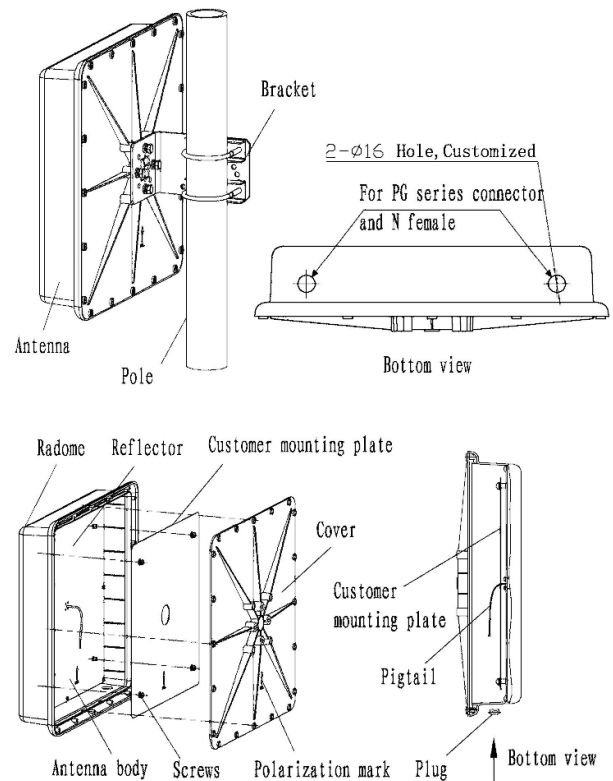
Features

- High gain, High F/B ratio
- Low profile, Small size, Light weight
- Dual polarization operation
- Integrated enclosure, with pigtail
- With customer mounting plate

Specifications

Model	TDJ-5158EA18D
Freq.Range-MHz	5150 to 5850
Gain-dBi	18
Beamwidth-°	E:17 H:17
VSWR	≤2
Impedance-Ω	50
Isolation-dB	≥30
F/B Ratio-dB	≥30
Polarization	Vertical/Horizontal
Max.Power-W	20
Connector	U. FL or customized
Dimensions-mm	325×325×65
Inside Dim.-mm	280×280×38
Weight-Kg	2.1
Temperature-°C	-40 to +70
Rated Wind Velocity-m/s	60
Mast Diameter-mm	φ 40 to φ 50

Installation Sketch



Kenbotong Communication LTD.

Addr: kenbotong Technology Park, NO.2 Chanxiu Road, Foshan, Guangdong, China 528000

Tel: +86-757-82219788, 82126632 Fax: +86-757-82212072

Email: kbt@kenbotong.com web: <http://www.kenbotong.com>