

TDJ-3500SPL9

Grid Parabolic Antenna

Technical Sheet



Applications

- 3.5GHz wireless access system
- 3.5GHz WiMAX
- Long-distance communication
- Wireless bridges

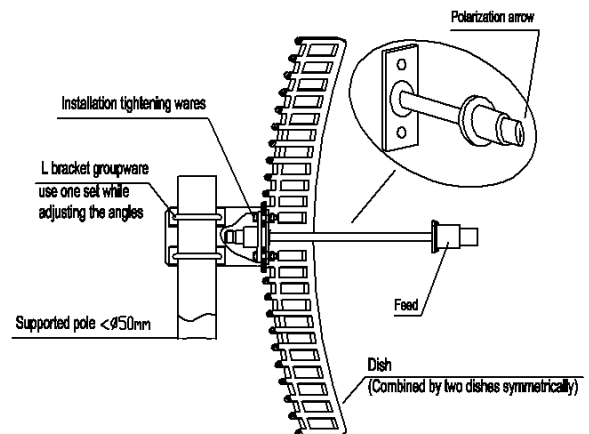
Features

- High gain to 27dBi
- Low VSWR
- Aluminum reflector
- Low wind loading
- Easy to mount

Specifications

Model	TDJ-3500SPL9
Freq.Range-MHz	3400 to 3600
Bandwidth-MHz	200
Gain-dBi	27
Beamwidth-°	E:9.5 H:6.5
F/B Ratio-dB	≥30
VSWR	≤1.5
Impedance-Ω	50
Polarization	Vertical or Horizontal
Max.Power-W	100
Connector	N Female
Dimensions-m	0.6×0.9
Weight-Kg	3.6
Mast Diameter-mm	φ 40 to φ 50

Installation Sketch



Installation ways:

1. Combine two dishes symmetrically to compose a parabolic groupware.
2. Install the feed to the dish as per the sketch, ensure that the direction of the "polarization arrow" on the feed is the same with the direction of the grid. When the direction of the arrow and the grid are both vertical with the ground, the antenna is in vertical polarization state. When the direction of the arrow and the grid are both horizontal with the ground, the antenna is in horizontal polarization state.
3. Install the L bracket to the dish, then place the antenna to the supported pole as per the sketch.
4. Test the receiving signal by instruments, adjust the azimuth angle and the pitching angle to enlarge the receiving signal. Tighten all the nuts and seal the connector for joining the antenna and the feed.



Kenbotong Communication LTD.

Addr : Kenbotong Technology Park, No.2 Chanxiu Road, Foshan, Guangdong, China 528061
 Tel: +86-757-82219788, 82126632 Fax: +86-757-82212072
 Email: kbt@kenbotong.com web: <http://www.kenbotong.com>