

TDJ-3500SPL6

Grid Parabolica Antenna

Technical Sheet



Applications

- 3.5GHz wireless access system
- Long-distance transmission
- Point to point system
- Wireless bridges

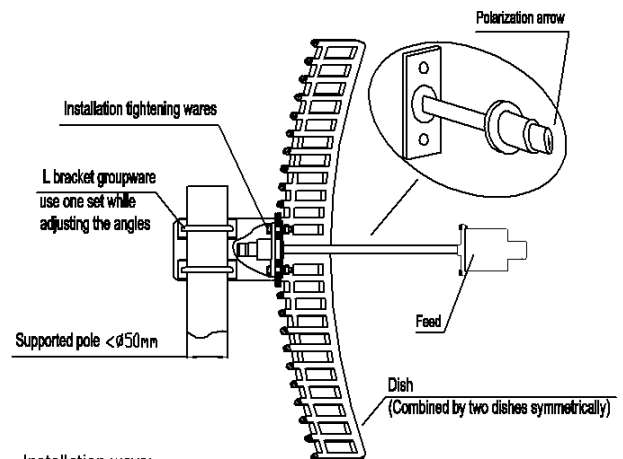
Features

- High gain, Low VSWR, High F/B ratio
- Small size, Easy to mount
- Die cast aluminum reflector
- UV stable coat finish
- Strong adaptability of environment
- Supplied with down-tilt & swivel bracket

Specifications

Model	TDJ-3500SPL6
Freq.Range-MHz	3400 to 3600
Bandwidth-MHz	200
Gain-dBi	22
Beamwidth-°	E:13 H:9
F/B Ratio-dB	≥25
VSWR	≤1.5
Impedance-Ω	50
Polarization	Vertical or Horizontal
Max.Power-W	100
Connector	N female
Dimensions-m	0.4×0.6
Weight-Kg	2.4
Mast Diameter-mm	Φ40 to Φ50

Installation Sketch



Installation ways:

1. Combine two dishes symmetrically to compose a parabolic groupware.
2. Install the feed to the dish as per the sketch, ensure that the direction of the "polarization arrow" on the feed is the same with the direction of the grid. When the direction of the arrow and the grid are both vertical with the ground, the antenna is in vertical polarization state. When the direction of the arrow and the grid are both horizontal with the ground, the antenna is in horizontal polarization state.
3. Install the L bracket to the dish, then place the antenna to the supported pole as per the sketch.
4. Test the receiving signal by instruments, adjust the azimuth angle and the pitching angle to enlarge the receiving signal. Tighten all the nuts and seal the connector for joining the antenna and the feed.



Kenbotong Communication LTD.

Addr : Kenbotong Technology Park, No.2 Chanxiu Road, Foshan, Guangdong, China 528061
 Tel: +86-757-82219788, 82126632 Fax: +86-757-82212072
 Email: kbt@kenbotong.com web: <http://www.kenbotong.com>