

TDJ-3500GZH

3.5GHz Horizontal Polarization Panel Antenna

Technical Sheet



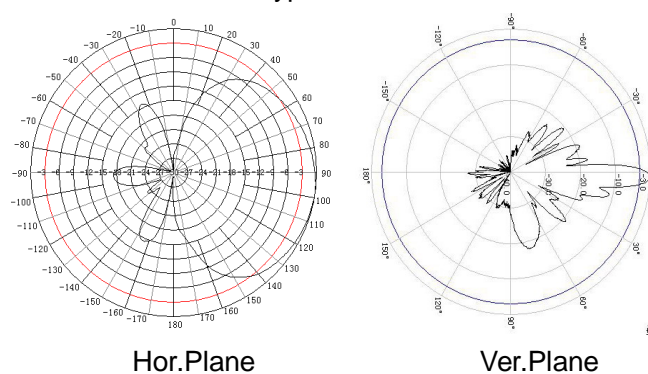
Applications

- 3.5GHz fixed wireless access system
- WiMAX communications system
- Sector coverage
- Other 3.5GHz applications

Features

- Broadband, High gain
- 65° coverage
- Horizontal polarization
- All weather operation
- 2° electrical downtilt + adjustable mechanical downtilt
- With null fill

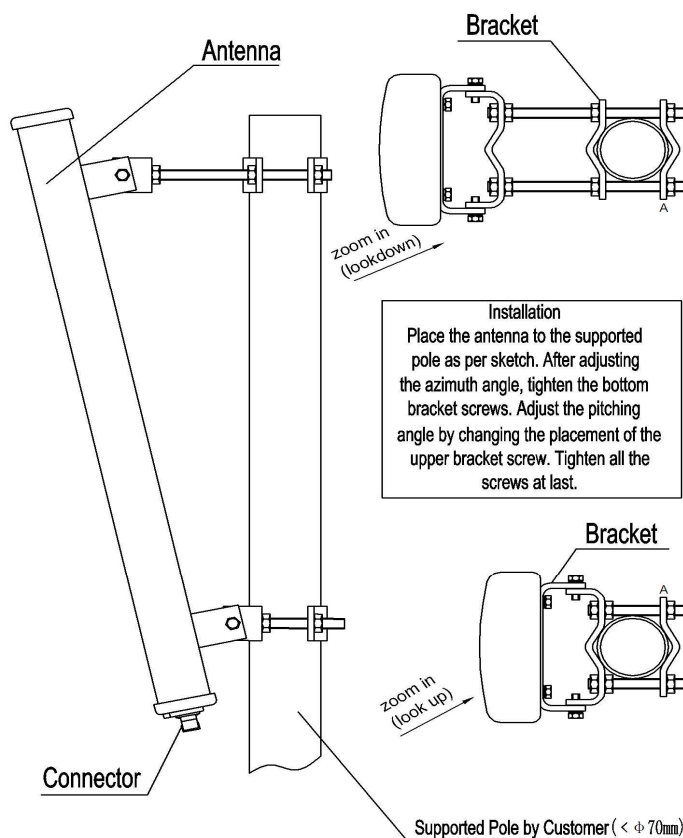
Typical Patterns



Specifications

Model	TDJ-3500GZH
Frequency Range-MHz	3400-3600
Bandwidth-MHz	200
Gain-dBi	18±1
Beamwidth-°	H:6.5 E:65
F/B Ratio-dB	≥24
VSWR	≤1.5
Impedance-Ω	50
Electrical Downtilt-°	2
Polarization	Horizontal
Null Fill-dB	≥-18
Maximum Power-W	100
Connector	N female
Dimensions-mm	750×168×56
Weight-Kg	4
Mast Diameter-mm	φ40-φ75

Installation Sketch



Kenbotong Communication LTD.

Addr: NO.2 Chanxiu Road, Foshan City, Guangdong China
Code: 528061

Tel: +86-757-82219788, 82126632 Fax: +86-757-82212072

Email: kbt@kenbotong.com web: <http://www.kenbotong.com>