

TDJ-3500GH

3.5GHz Sector Panel Antenna

Technical Sheet



Applications

- 3.5GHz Fixed wireless access system
- Point to point, point to multipoint
- WiMax System
- Client antenna

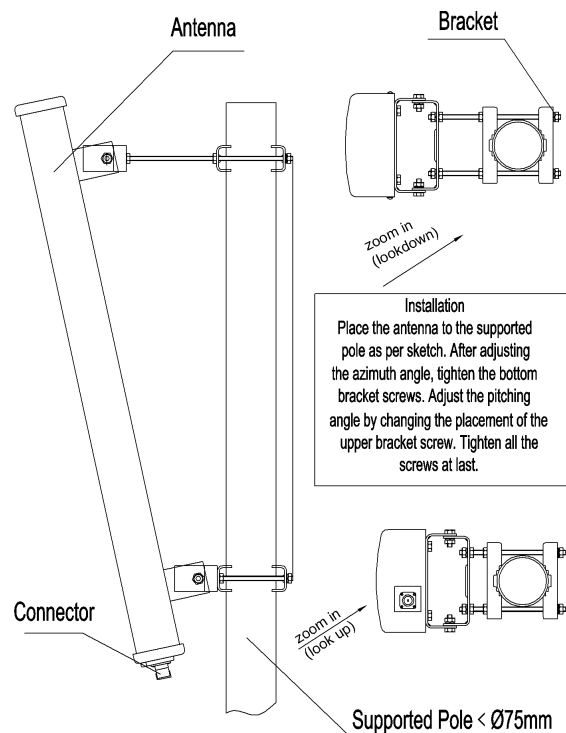
Features

- High F/B Ratio
- High gain, Low VSWR
- Anti-jamming
- Waterproof design

Specifications

Model	TDJ-3500GH
Freq. Range-MHz	3400~3600
Bandwidth-MHz	200
Gain-dBi	18
Hor. Beamwidth-°	60
Ver. Beamwidth-°	7
F/B ratio-dB	≥25
VSWR	≤1.5
Impedance-Ω	50
Polarization	Horizontal
Max. Power-W	100
Connector	N Female or customized
Length-mm	700x160x60
Weight-Kg	3.2
Mast Diameter-mm	φ50~φ75

Install Sketch



Kenbotong Communication Ltd.

Addr: Kenbotong Technology Park, No.2 Chanxiu Road, Foshan, Guangdong, China 528061
 Tel: +86-757-82219788, 82126632 Fax: +86-757-82212072
 Email: kbt@kenbotong.com web: <http://www.kenbotong.com>