

TQJ-400WQ

Broad band

Fiberglass Omni Antenna

Technical Sheet



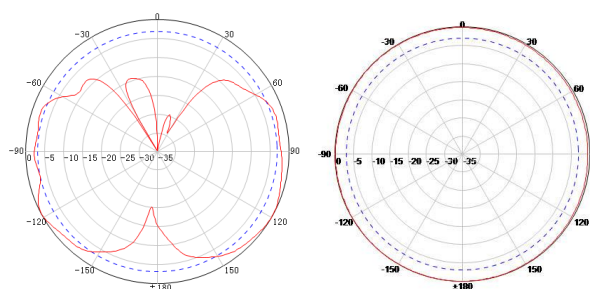
Applications

- UHF System
- TETRA System
- Multi-point Application

Features

- Broad band
- Fiberglass Radome
- Superior Performance
- All Weather Operation
- Stable Steel Installation Kit

Typical Patterns



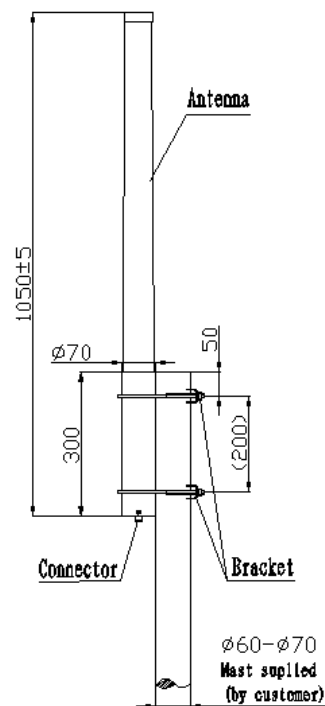
Vertical pattern

Horizontal pattern

Specifications

Model	TQJ-400WQ
Freq.Range-MHz	360 ~450
Bandwidth-MHz	90
Gain-dBi	3±1
Ver.Beamwidth-°	68
VSWR	≤1.6
Impedance-Ω	50
Polarization	Vertical
Max.Power-W	500
Connector	N Female
Length-mm	Φ70×(1050±5)
Weight-Kg	2.3(exclude the bracket)
Radome	Fiberglass
Pole Diameter-mm	Φ60-Φ70

Installation Sketch



With JM-4U Bracket

