

# KDP3-T2400G17VT0

## MIMO Directional Antenna

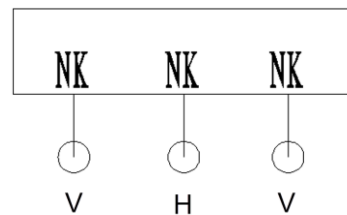
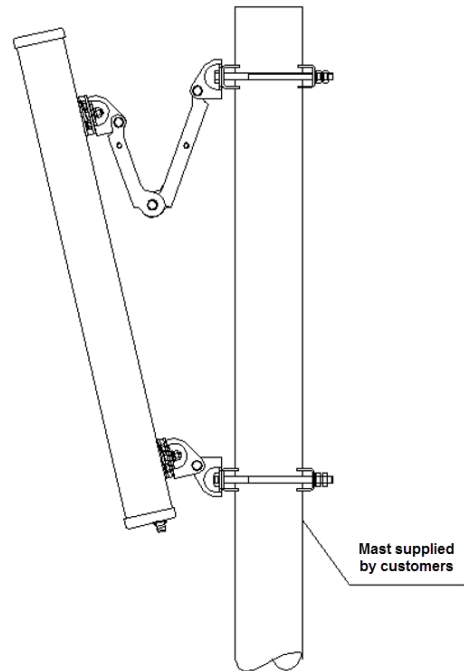
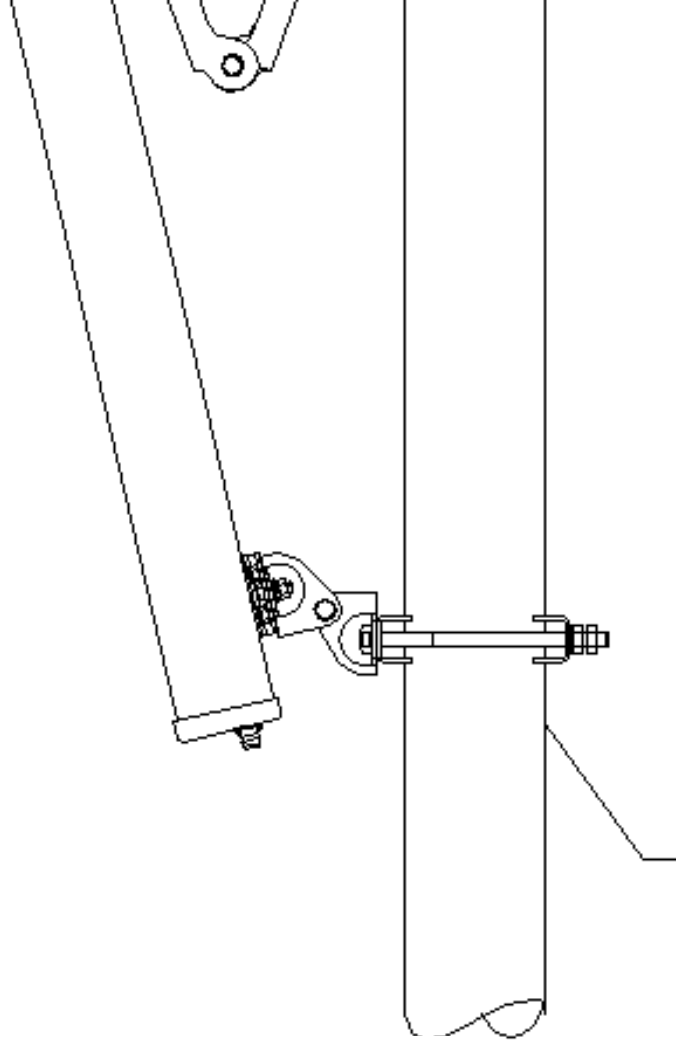
### Technical Sheet



Note: The picture is for reference only , please kindly consult with the real product.

### Specifications

|                  |                      |
|------------------|----------------------|
| Model            | KDP3-T2400G17VT0     |
| Freq.Range-MHz   | 2400~2500            |
| Gain-dBi         | 3×17                 |
| VSWR             | ≤1.5                 |
| Hor.Beamwidth-°  | 65                   |
| Ver.Beamwidth-°  | 8                    |
| Isolation-dB     | ≥25                  |
| F/B Ratio-dB     | ≥23                  |
| Impedance-Ω      | 50                   |
| Polarization     | 2×V+H                |
| Max.Power-W      | 50                   |
| Connector        | 3×N Female           |
| Dimension-mm     | 900×280×80           |
| Weight-kg        | 4.5(without bracket) |
| Mast Diameter-mm | Φ50~Φ114             |



**Kenbotong Technology Co., Ltd.**

Addr :NO.2 Chanxiu Road ,Foshan city,Guangdong China Code:528061  
 Tel: 86(757)8202-5597, 8221-9788 Fax : 86(757)8221-2072,8802-2808  
 Email: kbt@kenbotong.com web: <http://www.kenbotong.com>